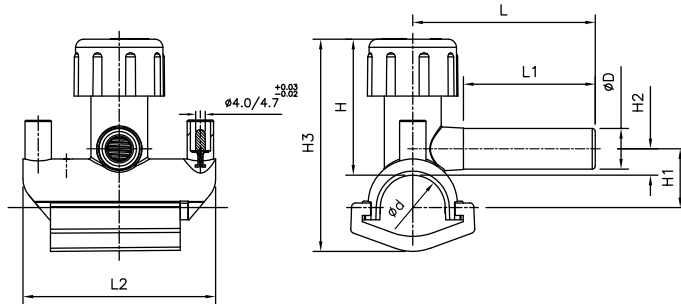


Electrofusion Wrap Around Tapping Tee for Gas - SDR11 (ISO S5)



dxd1	PRODUCT CODE		SP	g	D	H	H ₁	H ₂	H ₃	L	L ₁	L ₂	F-T	C-T
	PE80 Yellow 4.7mm Pin Terminal													
32x20	201520101010101		40	157	20	67	29	13	105	90	65	95	30	4
40x32	201520401010101		30	270	32	85	40	20	133	110	78	106	30	4
63x32*	201521001010101		22	325	32	124	51	22	190	118	78	120	70	4

*under Approval

Note : SP = Standard Pack Quantity, g = Weight in Grams, F-T = Fusion Time in Seconds, C-T = Cooling Time in Minutes

Kimplas Electrofusion Tapping Tees, manufactured in PE80 (Yellow) grade are Standard SDR 11 rated. For exact recommendations on compatibility for welding with SDR 9 through SDR 21, refer Kimplas Technical Specification Manual.

Kimplas Electrofusion Tapping Tees are suitable for Tapping House Service Connections with PE80 pipes.

Standards:

- PE Pipe Compatibility : IS:14885, ISO:4437, EN:1555-1, GIS PL 2 / 2
- Complies with GIS PL 2 / 4

Common Applications:

- ✓ Tapping from Charged or Uncharged networks for House Service Connection
- ✓ Branch connections
- ✓ Tapping connections in areas difficult to access in narrow trenches

Installation :

Joint preparation must be done as specified in the installation instructions. Pipe outside surface must be scraped to remove oxidized layer. Before fusing, scraped pipe- surface and matt area of the fittings must be cleaned to remove dirt and contamination. Complete Installation Manual may be downloaded.

Advantages :

- Standard Operating Voltage - 40 V
- Same Fusion time for various SDR rated pipes
- Auto Temperature compensation for ambient conditions -5°C to + 40°C
- Top load takes care of TT base radius matching (alignment) with pipe OD even in case of ovality of coiled pipes
- Optimal fusion and cold zone for a sturdy joint
- Pop-Up fusion indicators to indicate fusion process performance
- Integral Brass cutter. Once TT fused, Cutter cannot be taken out
- Cutter leak-tight in uppermost position
- Cutter retains the pipe coupon positively, never allows to slip into pipe
- Long spigot outlets to perform second fusion when required
- Permanent Batch Indicator, Fusion Time, Cooling Time, Raw Material Grade and SDR marking
- Each fitting individually packed to protect against contamination and oxidation
- Each fitting with water-proof bar code to automatically feed fusion data to the Control-box for fusion process