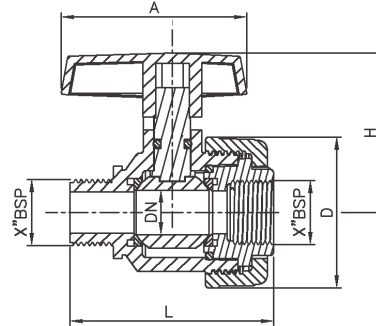


MALE - FEMALE THREADED BALL VALVE



d	DN	ITEM Code	g	SP	L	D	H	A	X''BSP
20	15	207490201010101	88	150	66	49	52	60	1/2"
25	20	207490301010101	138	100	80	60	58	65	3/4"
32	25	207490101010101	200	60	90	68	66	75	1"

Note : SP - Standard Packing Quality, g - Individual fitting weight in gms

Kimplas UPVC Ball Valves are designed to use with threaded PVC and metal pipes. Kimplas PVC Ball Valves are ideally suited for connecting Drip and Sprinkler Irrigation piping networks. The Valves are recommended for cold water services within temperature range of 0°C to 40°C. For exact recommendations on use and application, refer Kimplas Technical Specifications Manual.

Standards:

- Pipe compatibility - Threaded PVC and metal pipes
- Dimensions, Features and Functional Tests: ISO:3501, ISO:3503, ISO:3459
- Threading: IS:554, ISO:7/1, DIN:2999
- Comply with ISO:1452 - Part 4

Common Applications:

- ✓ For connecting Sprinkler Irrigation mains and sub-mains
- ✓ For connecting fertigation equipment like Venturi, Fertilizer Tank, Dozing pump etc

Installation :

Joint preparation must be done as specified in the installation instructions. Complete Installation Manual may be downloaded.

Male - Female Threaded Valve:

Pipe ends must be cut square & burr-free before using with the valve. The metal pipes should be threaded with BSPT male threading of the required size viz. 1/2", 3/4" or 1" as the case may be. To install the valve, there is no need to open the nut & other components of the valve. To install the valve, just screw-on the smaller end of the valve first on to the Female threaded fittings or metal pipe. Loosen the nut on the valve body at the other end by half turn. Screw-on the other end of the valve on the pipe or screw-on the pipe into the valve. Then tighten the threaded nut by hands only. The nut should be closed tightly. Use sealant tape (Teflon or Plumber's tape) on male threads on valve & pipe.

Advantages :

- Plastic & rubber materials conform to the Standard requirements for use with irrigation water
- The Body & nut made up of PVC with its sturdy design holds the pipe-fitting assembly intact with continuous working pressures upto 16 Bars
- The grip ring made up of POM (Poly-acetal) prevents the pipe being pulled out from the fitting
- The PP (Packing Pressure) Bush exerts thrust on the rubber O'-Ring / Gasket, compresses on pipe and fitting body to ensure leak-tightness
- Rubber O'-Ring / Gasket prevent leakage under internal pressure as well as under external pressure as in case of vacuum and/or suction
- Resistant for wide range of chemicals
- Higher penetration of pipe in fittings enables proper alignment
- Full bore cross sections for higher flows
- Clearance-Fit for ease of installation and repairs
- Tolerance fit to take care of ovality of coiled pipes
- Permanent Batch Indicator, Size, PN rating and Raw Material Grade marking for ease of traceability
- Compact but sturdy design for ease of installation and trouble free service