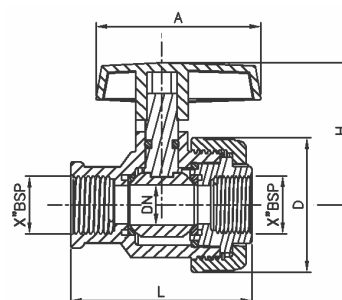


FEMALE - FEMALE THREADED BALL VALVE



d	DN	ITEM Code	g	SP	L	D	H	A	X''BSP
20	15	BVFF20X050BKA	90	150	66	49	52	60	1/2"
25	20	BVFF25X075BKA	142	100	80	60	58	65	3/4"
32	25	BVFF32X100BKA	210	60	90	68	66	75	1"

Note : SP - Standard Packing Quality, g - Individual fitting weight in gms

Kimplas UPVC Ball Valves are designed to use with threaded PVC and metal pipes. Kimplas PVC Ball Valves fittings are ideally suited for connecting HSC (House Service Connections) in Drinking Water Distribution piping networks. The Valves are recommended for Cold Water Services within temperature range of 0°C to 40°C. For exact recommendations on use and applications, refer Kimplas Technical Specifications Manual.

Standards:

- Pipe compatibility : Threaded PVC and metal pipes
- Dimensions, Features & Functional Tests: ISO:3501, ISO:3503, ISO:3459
- Threading: IS:554, ISO:7/1, DIN:2999
- Complies with ISO:1452 - Part 4

Common Applications:

- ✓ Pressurized fluid control.
- ✓ PVC and Metal pipe connection during laying
- ✓ Pipe connections in areas difficult to access in narrow trenches.
- ✓ Pipe connections with permanently laid down (immovable) pipes
- ✓ For Industrial Plants, Conveyance of various Fluids and Food stuffs, Fresh water and Utility water etc.

Installation :

Joint preparation must be done as specified in the installation instructions. Complete Installation Manual may be downloaded.

Female - Female Threaded Valve:

Pipe ends must be cut square and burr-free before using with the valve. Chamfer may be provided on the PE pipe end to facilitate ease of pipe insertion. To install the valve, there is no need to open the nut and other components of the fitting. To install the fitting, just loosen the nut by three to four turns, insert the pipe into the fitting until the pipe crosses the rubber seal and stops at the pipe stop. Then tighten the nut by hands only. The nut should be closed tightly, however there is no need for the nut to actually meet the body. Use sealant tape (Teflon or Plumber's tape) on male threading of pipe.

Advantages :

- Plastic & rubber materials conform to the Standard requirements for use with irrigation water
- The Body & nut made up of PVC with its sturdy design holds the pipe-fitting assembly intact with continuous working pressures upto 16 Bars.
- The grip ring made up of POM (Poly-acetal) prevents the pipe being pulled out from the fitting.
- The PP (Packing Pressure) Bush exerts thrust on the rubber O'-Ring / Gasket, compresses on pipe and fitting body to ensure leak-tightness.
- Rubber O'-Ring / Gasket prevent leakage under internal pressure as well as under external pressure as in case of vacuum and/or suction.
- Resistance for wide range of chemicals
- Higher penetration of pipe in fittings enables proper alignment.
- Full bore cross sections for higher flows
- Tolerance fit to take care of ovality of coiled pipes
- Permanent Batch Indicator, Size, PN rating and Raw Material Grade marking for ease of traceability
- Compact but sturdy design for ease of installation and trouble free service



For details about our other products and specifications please refer the corporate website

Disclaimer : Kimplas reserves the right to modify product without prior notice, as part of its continual improvement programme. Whilst every effort is taken to ensure the accuracy of information contained in the data Sheet, Kimplas accepts no liability for matters arising as a result of errors or omissions.