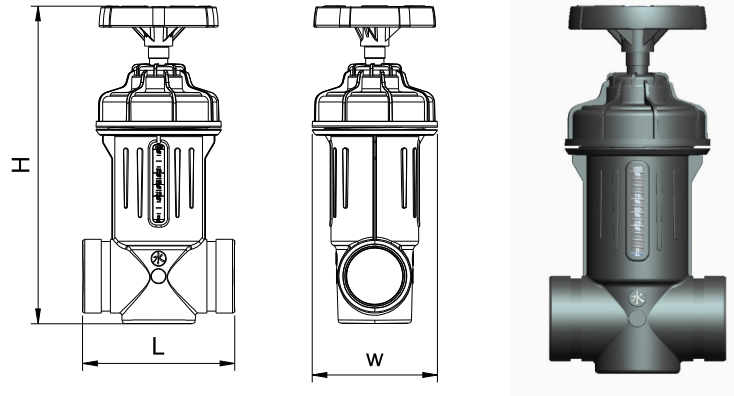


Throttle Valve



Technical Details:

Parameter	Throttle value	
	2"	3"
Model Details	2"	3"
Product code	QPC: TV200QPC	QPC: TV300QPC
Recommended Flow Rate(m3/hr)	25	40
Nominal Size (Inlet/Outlet Connection) (mm)	Ø 2" (50 mm)	Ø 3" (80 mm)
Dimensions of (mm)		
Height H	272	381
Length L	130	182
Width W	107	144
Material of Construction	Body IMPP ; Other Parts- GF Nylon; Seal-NBR	
Maximum Operating Pressure	6 bar ; 87.02 psi	
Outlet connections	Threaded /QPC	

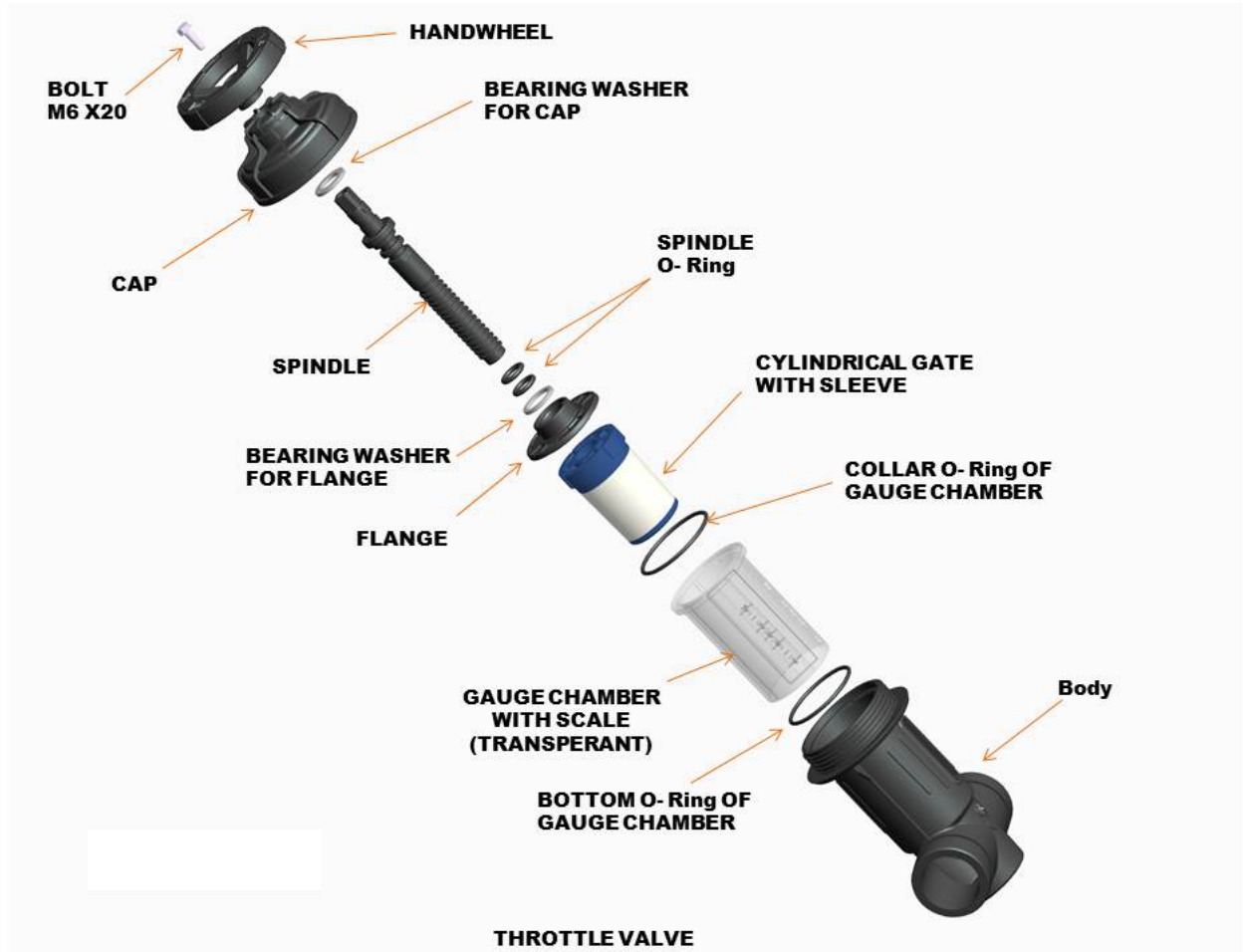
Features:

- Manifolds and combinations thereof to suit specific requirements
- Unique gate design with resilient material ensures Zero-Leak when valve is completely closed.
- Full-Bore for Excellent Flow-Characteristics and minimal pressure drop.
- Calibrated gauge chamber to view percentage of valve throttling.
- Threaded spindle and wheel type design for fine and precise adjustments of flow.
- Non corrosive plastic body. No brass parts, hence no threat of theft.
- Large seating area, designed to self-flush with water flow, no chance of sediment deposition.
- Available in 2", 2 1/2" and 3" sizes.

Installation & Working:

1. While installing check O- ring at proper position while connecting Manifolds
2. To operate Venturi, throttle the valve 20% initially and adjust the injection rate by throttling further with fine adjustments.
3. Valve shall be kept fully opened all the time and throttling must be done only during fertilizer/ Acid injection.
4. The Valve can be completely closed when irrigation system is not operating and water is being used for other applications/ bypassed.





APPLICATION:

For Precise Adjustment of water percentage, while operating venturi.
As a Bypass Valve in **IRRIGATION SYSTEM**

